

HORIZONTAL MULTISTAGE PUMPS



JE4-X, JE4-A SERIES

Stainless Steel Construction
Closed 2-stage impeller
Flow: 8 to 95 GPM
Head: to 245 ft.
Range of HP: to 5HP

Applications

Pressure booster system
Jockey pump,
Car Wash



NSF 61/Annex G Certified
Certified California AB 1953 Compliant
Certified Vermont Act 193 Compliant



CONTENTS:

JE4-X*

SPECIFICATIONS	P1-01
SELECTION CHART	P1-03
DIMENSIONS	P1-06

MODEL No. PERFORMANCE CURVE

JE4-X70/206-2HP	P1-04
JE4-X70/306-3HP	P1-04
JE4-X120/306-3HP	P1-05
JE4-X200/506-5HP	P1-05

JE4-A

SPECIFICATIONS	P1-02
SELECTION CHART	P1-03
DIMENSIONS	P1-07

MODEL No. PERFORMANCE CURVE

JE4-A70/206-2HP	P1-04
JE4-A70/306-3HP	P1-04
JE4-A120/306-3HP	P1-05
JE4-A200-506-5HP	P1-05

**NSF 61/Annex G Certification and Compliance with State Codes does not apply to JE4-X Models*



JDL PUMP SYSTEMS

www.jdlpumpsystems.us
(t) 888 668 9345 • (f) 888 668 9344

STAINLESS STEEL CENTRIFUGAL PUMPS

P1-00
rev. 07/08

Model JE4-X

STANDARD	
Size Suction Discharge	JE4-X70 – 1¼" NPT Thread JE4-X120 – 1¼" NPT Thread JE4-X200 – 1½" NPT Thread 1" NPT Thread
Range of HP	2 HP to 5 HP
Range of Performance Capacity Head	5.5 to 66 GPM at 3600 RPM 98 to 245 feet at 3600 RPM
Liquid handled Type of liquid Temperature Working pressure	Clean water Maximum: 140°F (60°C) Maximum: 125 PSI (9 Bar)
Materials Casing Impeller (closed type) Shaft Bracket Shaft Seal	304L Stainless Steel 304L Stainless Steel 304L Stainless Steel Aluminum or Cast iron Mechanical Seal – Carbon/Ceramic*
Direction of Rotation	Clockwise when viewed from motor end
Motor Type Speed Three Phase Motor Casing Bearing	TEFC/IP55 60 Hz, 3450 RPM (2 poles) 230/460V Aluminum Ball Bearing

*Consult factory for optional seal types



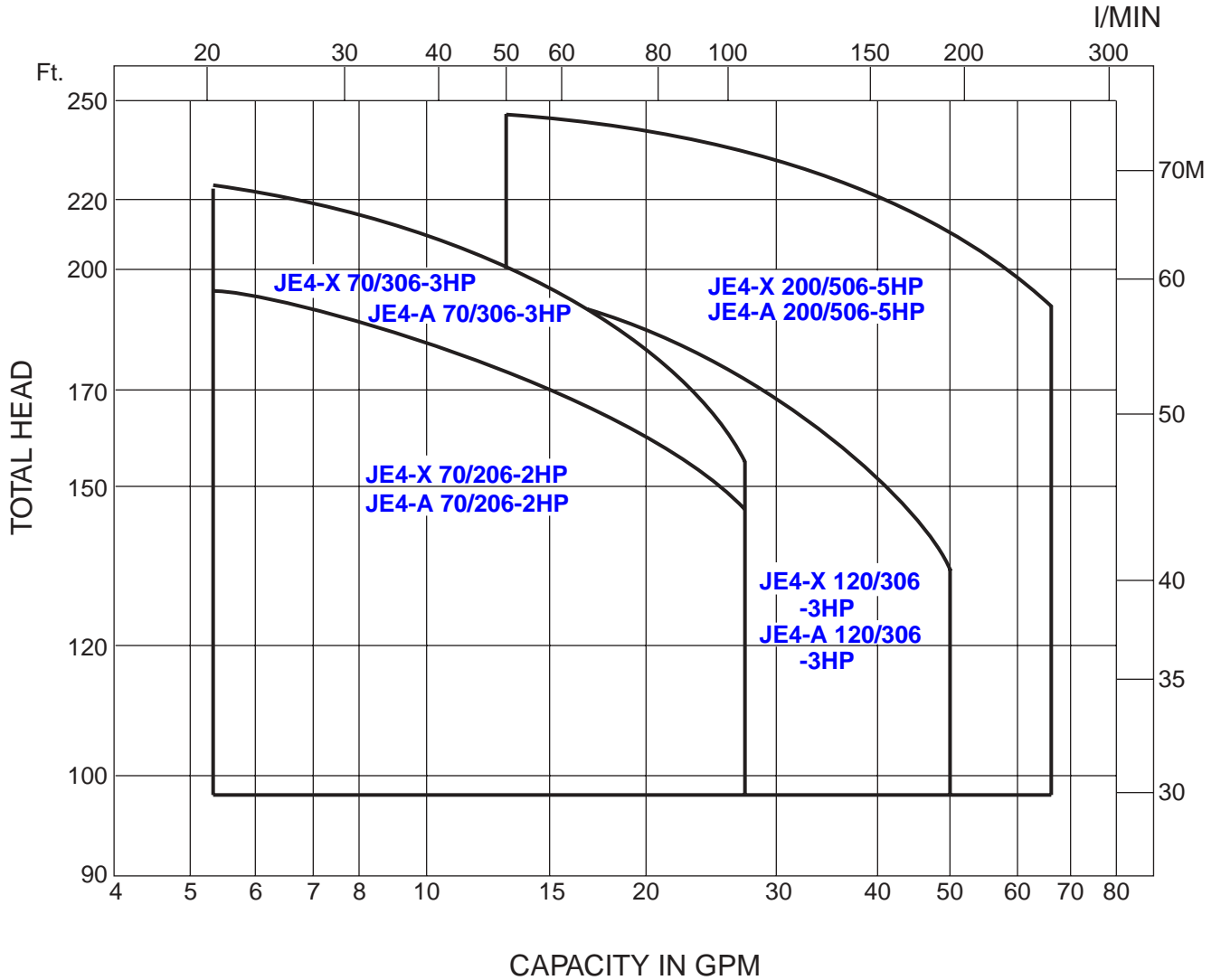
Model JE4-A

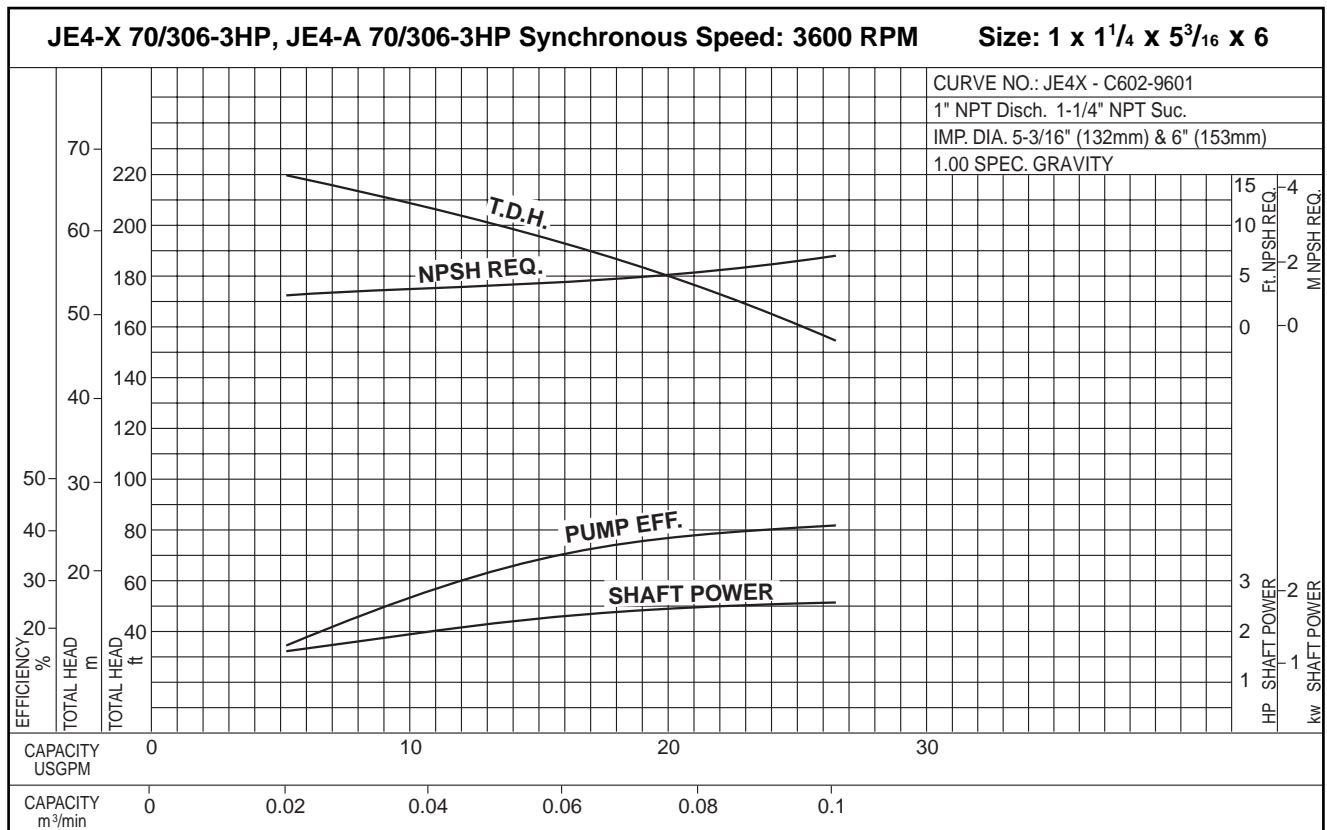
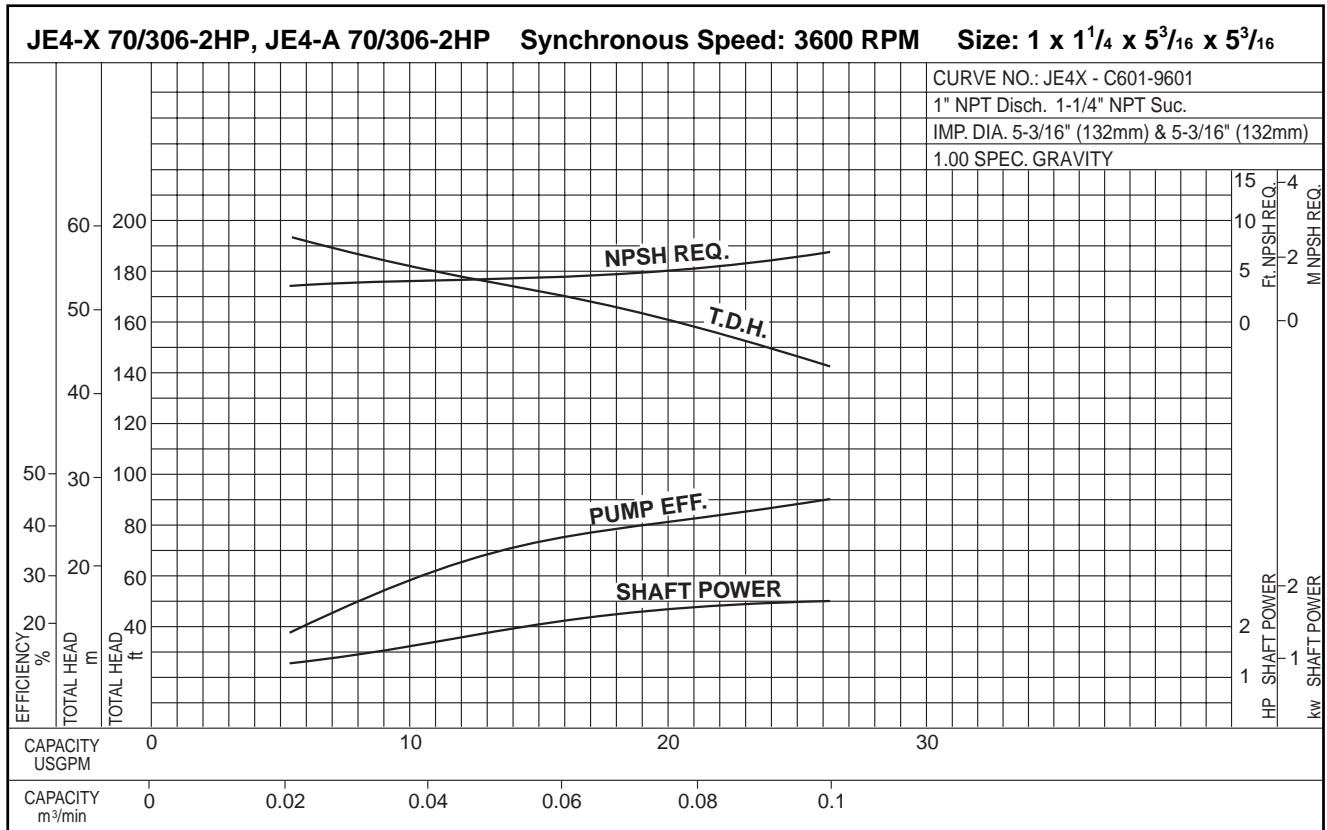
	STANDARD	OPTIONAL
Size Suction Discharge	JE4-A70 – 1¼" NPT Thread JE4-A120 – 1¼" NPT Thread JE4-A200 – 1½" NPT Thread 1" NPT Thread	
Range of HP	2 HP to 5 HP	
Range of Performance Capacity Head	5.5 to 66 GPM at 3600 RPM 98 to 245 feet at 3600 RPM	
Liquid handled Type of liquid Temperature Working pressure	Clean water Maximum: 140°F (60°C) Maximum: 125 PSI (9 Bar)	
Materials Casing Impeller (closed type) Shaft Bracket Shaft Seal	304L Stainless Steel 304L Stainless Steel 304L Stainless Steel Cast iron Mechanical Seal – Type 21	High temperature version Mild chemical version
Direction of Rotation	Clockwise when viewed from motor end	
Motor Type Speed Single Phase Three Phase Motor Protection Bearing	NEMA 56J Frame 60 Hz, 3450 RPM (2 poles) TEFC – 2 HP to 5 HP ODP – 2 HP to 3 HP, 115/230V TEFC – 2 HP to 5 HP ODP – 2 HP to 3 HP, 208-230/460V Built-in overload protection (single phase) Ball Bearing	Explosion proof – consult factory Washdown duty – consult factory



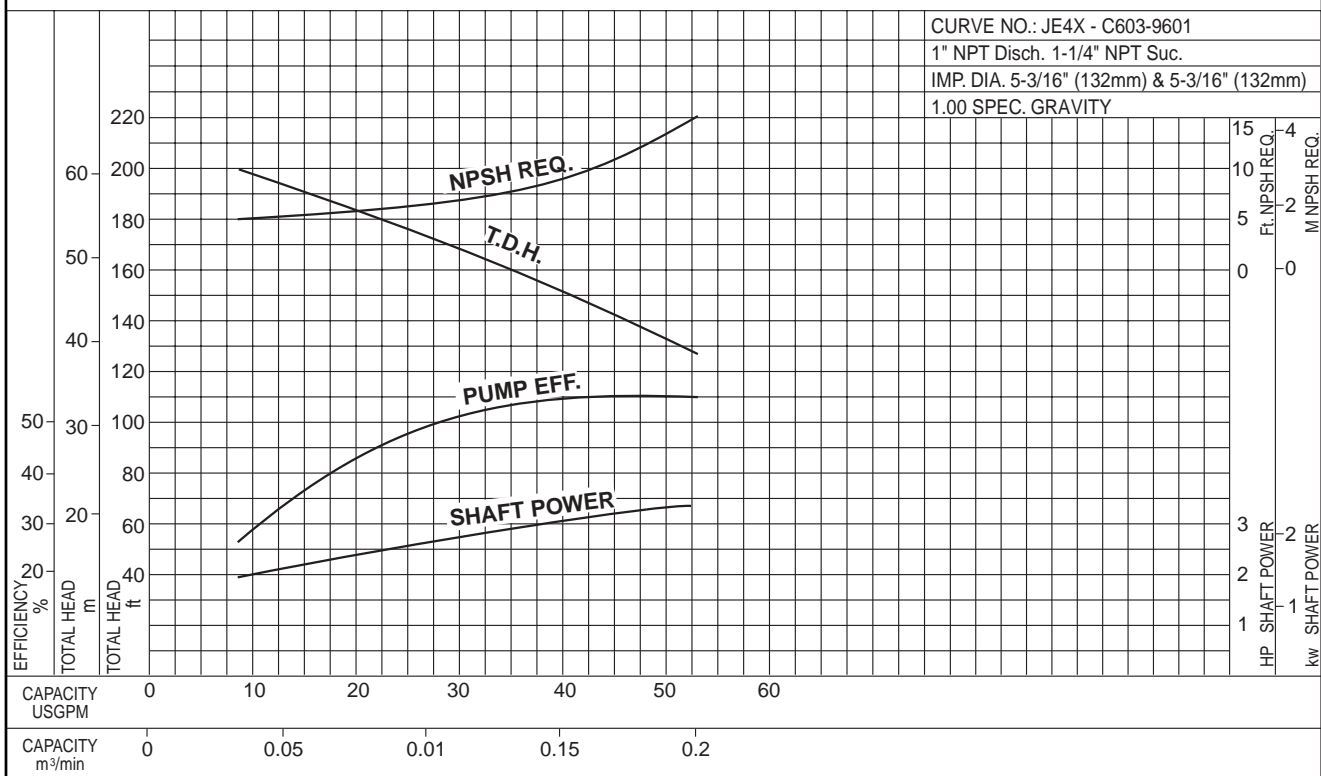
Model JE4-X, JE4-A

60Hz, Synchronous Speed 3600 RPM

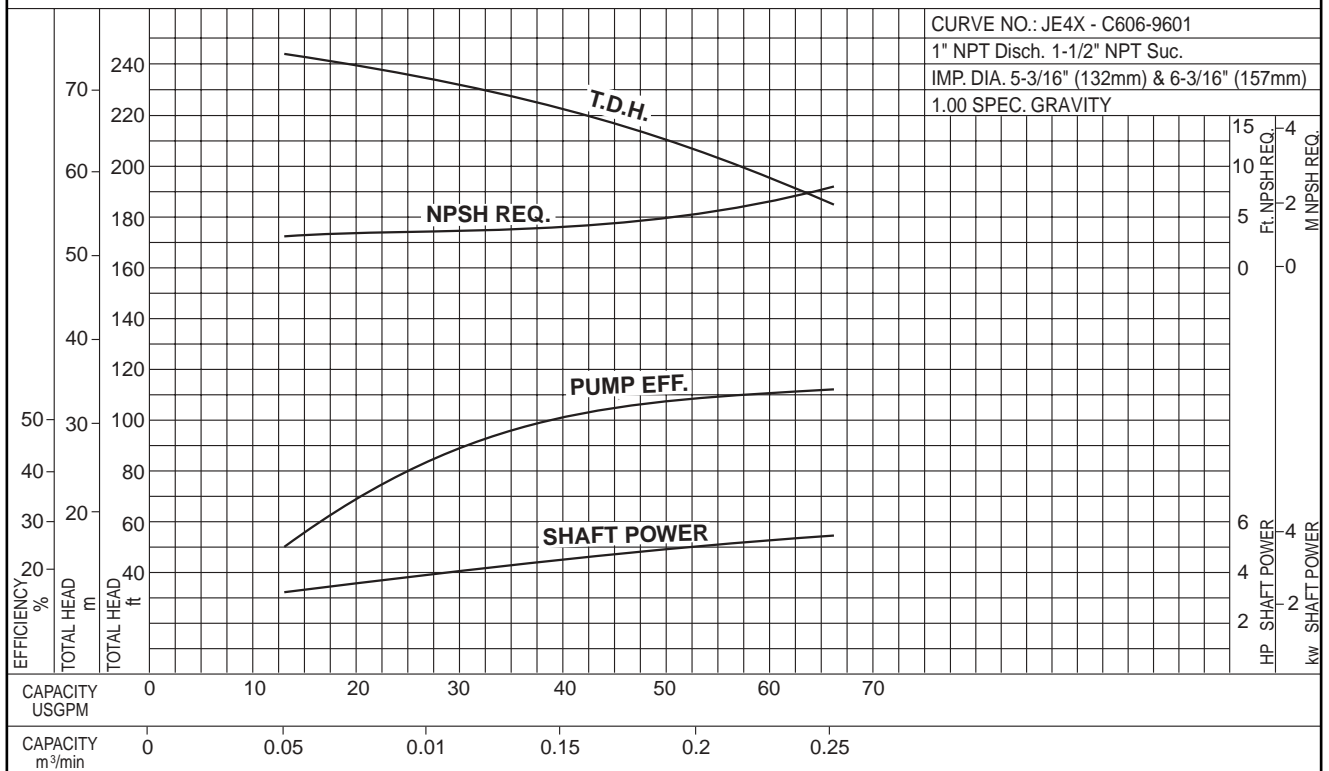




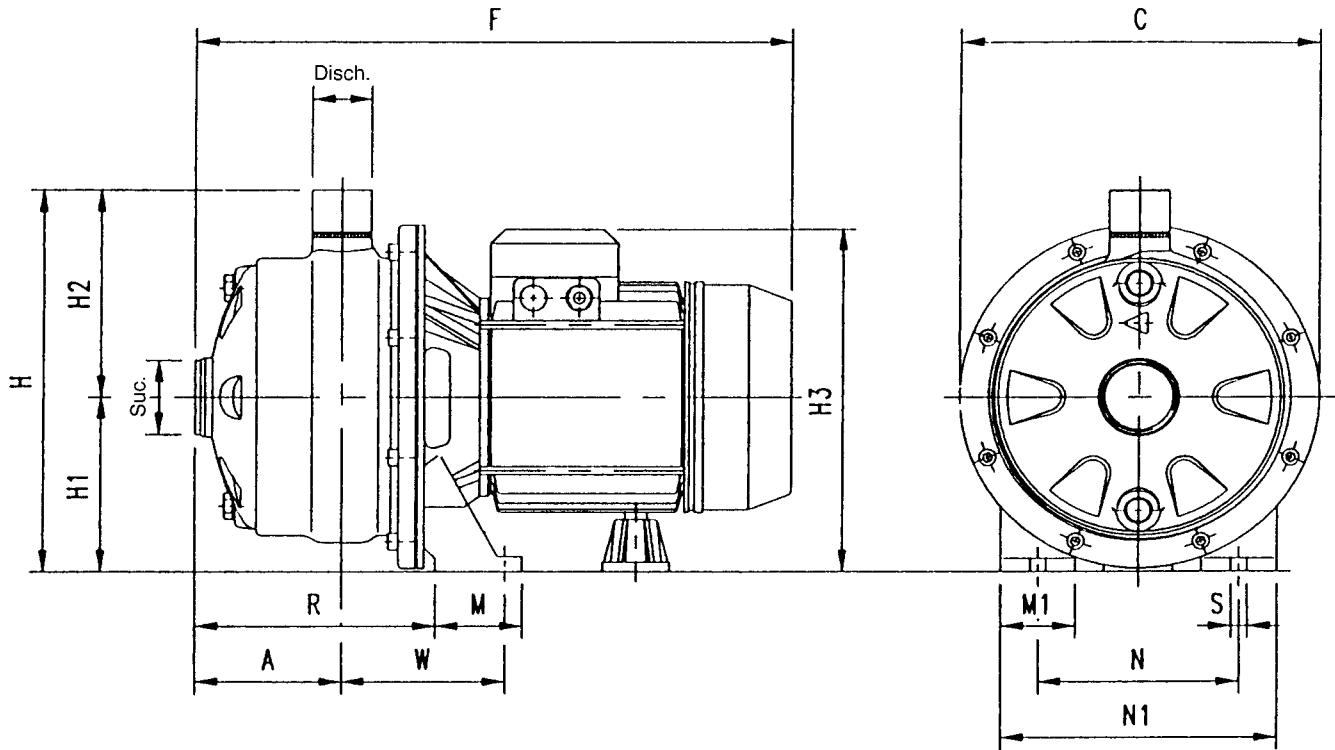
JE4-X 120/306-3HP, JE4-A 120/306-3HP Synchronous Speed: 3600 RPM Size: 1 x 1 1/4 x 5 3/16 x 5 3/16



JE4-X 200/506-5HP, JE4-A 200/506-5HP Synchronous Speed: 3600 RPM Size: 1 x 1 1/2 x 5 3/16 x 6 3/16



Pump with IP55 TEFC motor only



Dimensions: inch

PHASE	MODEL	HP	SIZE		PUMP & MOTOR														Weight Lbs
			Suc.	Disch.	A	C	F	H	H ₁	H ₂	H ₃	M	M ₁	N	N ₁	R	S	W	
THREE	JE4-X 70/206	2	1 1/4"NPT	1"NPT	3 7/16	9 1/8	14 15/16	9 13/16	4 5/8	5 3/16	8 7/8	2 3/16	1 9/16	5 1/2	7 1/16	5 1/2	3/8	3 3/4	37
	JE4-X 70/306	3	1 1/4"NPT	1"NPT	3 7/16	9 1/8	14 15/16	9 13/16	4 5/8	5 3/16	8 7/8	2 3/16	1 9/16	5 1/2	7 1/16	5 1/2	3/8	3 3/4	37
	JE4-X 120/306	3	1 1/4"NPT	1"NPT	3 7/16	9 1/8	14 15/16	9 13/16	4 5/8	5 3/16	8 7/8	2 3/16	1 9/16	5 1/2	7 1/16	5 1/2	3/8	3 3/4	39
	JE4-X 200/506	5	1 1/2"NPT	1"NPT	3 7/16	9 1/8	17 3/8	9 13/16	4 5/8	5 3/16	9 3/16	2 11/16	1 15/16	6 5/16	8 1/4	5 11/16	1/2	4 5/16	71

Dimensions: mm

PHASE	MODEL	HP	SIZE		PUMP & MOTOR														Weight kg
			Suc.	Disch.	A	C	F	H	H ₁	H ₂	H ₃	M	M ₁	N	N ₁	R	S	W	
THREE	JE4-X 70/206	2	1 1/4"NPT	1"NPT	87	232	380	250	118	132	226	55	40	140	180	139.5	9	95	17
	JE4-X 70/306	3	1 1/4"NPT	1"NPT	87	232	380	250	118	132	226	55	40	140	180	139.5	9	95	17
	JE4-X 120/306	3	1 1/4"NPT	1"NPT	87	232	380	250	118	132	226	55	40	140	180	139.5	9	95	18
	JE4-X 200/506	5	1 1/2"NPT	1"NPT	87	232	441	250	118	132	243	68	50	160	210	144.5	12	109	32



Pump with Standard NEMA motor

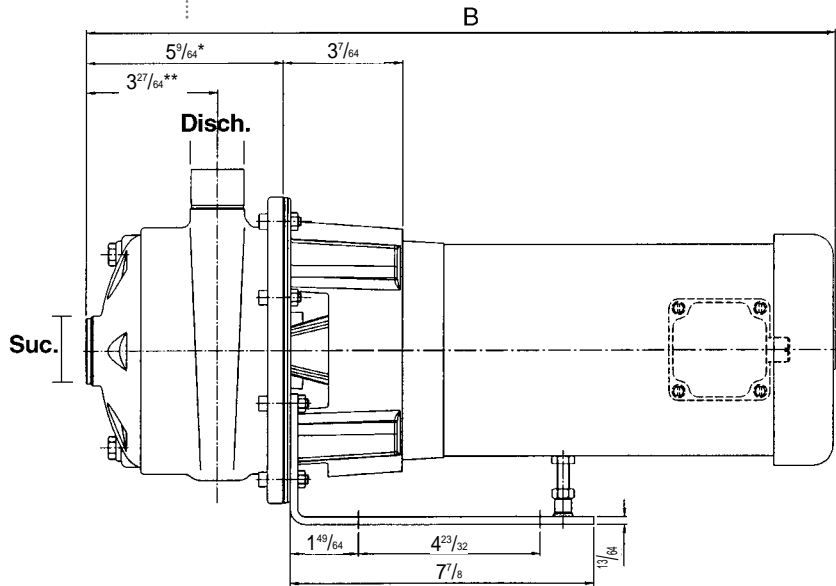
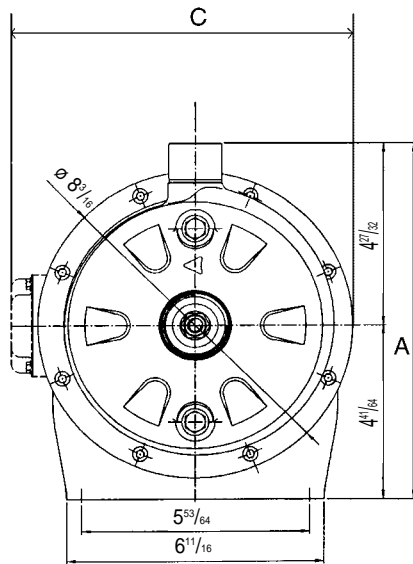
Note: All dimensions in inches

Note:

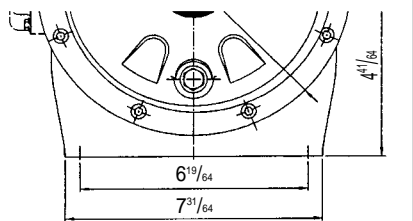
Dimensions for Model JE4-A 120/306

*5⁷/₃₂

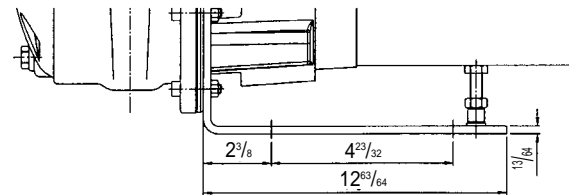
**3¹/₂



Note:
Dimensions for
Model JE4-A 200/506 5HP



Note:
Dimensions for
Model JE4-A 200/506 5HP



Model	Pump Size – NPT (Inch)		Dimension (Inch)			Approximate Weight (lbs.)			
	Suction	Discharge	Maximum Height (A)	Maximum Length (B)	Maximum Width (C)	Single Phase		Three Phase	
						ODP	TEFC	ODP	TEFC
JE4-A 70/206	1 ¹ / ₄	1"	9.77	20.27	7.323	55	65	50	45
JE4-A 70/306	1 ¹ / ₄	1"	10.82	21.87	11.66	65	90	55	60
JE4-A 120/306	1 ¹ / ₄	1"	10.82	21.91	11.66	65	90	55	65
JE4-A 200/506	1 ¹ / ₂	1"	11.66	23.5	11.66	n/a	100	n/a	90

